

# SU1 Series – Part Numbering



## Features

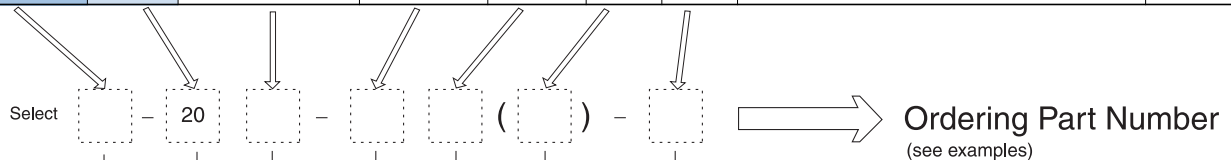
- Safe connection / Easy mounting
- Antenna Interface Standards Group(AISG) specification
- Electromagnetic Protection
- Protection rating of IP40
- Compatible according to IEC 60130-9
- UL Recognized 

## Applications

- Electronic Precision Equipment
- Control Engineering
- Automation
- Medical

## Part Numbering

Series	Size	Body Type	No. of Contacts	Contact Type	Option		Notes	Page
					PCB	Potting		
SU1	20	SP	3,4,5,6 8,12,14	P			Plug (Pin Contact)	102
		P		S			Plug (Socket Contact)	104
		SBR		S	●		Receptacle (Socket Contact)	102
		SBR1		S	●	●	Receptacle (Socket Contact)	102
		BR		P	●	●	Receptacle (Pin Contact)	104
		SRB		S	●	●	Receptacle (Socket Contact, Rear mount)	102
		SPR		S	●	●	Receptacle (Socket Contact, Flange type)	103
		PR		P	●	●	Receptacle (Pin Contact, Flange type)	104
		PR3		P	●	●	Receptacle (Pin Contact, Long Flange type)	105



### Examples

**SU1 - 20SP - 3P**

SU1 series - Size 20 Plug - 3 contact pin

**SU1 - 20P - 8S**

SU1 series - Size 20 Plug - 8 contact socket

**SU1 - 20SBR - 12S**

SU1 series - Size 20 Receptacle - 12 contact socket

**SU1 - 20BR - 8P (PCB)**

SU1 series - Size 20 Receptacle - 8 contact pin (PCB termination)

### Connector Series

SU1 20 Series(IP40 type)

### Body Type

SP : Plug

P : Plug

SBR : Receptacle

SBR1 : Receptacle

BR : Receptacle

SRB : Receptacle, Rear mount

SPR : Receptacle, Flange type

PR : Receptacle, Flange type

PR3 : Receptacle, Long Flange type

BRC : Receptacle cap (accessory)

SBRC : Receptacle cap (accessory)

### No. of Contacts

3,4,5,6,8,12,14

### Contact Type

P : Pin

S : Socket

None : Receptacle cap

### Contact Option(for receptacle)


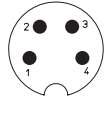
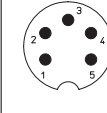
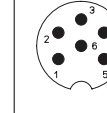
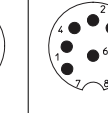
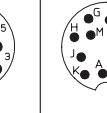
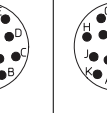
PCB : PCB contact termination

### Potting Option

1 : Epoxy or silicon

Specifications subject to change without notice. Consult Sam Woo Electronics for the latest specifications.

## Major Performance / Contact Arrangements

Performance	Size 20						
	3	4	5	6	8	12	14
Contact Arrangement							
Rated Voltage	250V					60V	
Rated Current(40℃)	5A					3A	
Rated impulse withstand voltage	1500V					1000V	
Insulation Resistance	> 10 <sup>10</sup> Ω						
Contact Resistance	< 5mΩ						
Wire gauge	max.0.75mm <sup>2</sup> (max.AWG 20)					max.0.25mm <sup>2</sup> (max.AWG 24)	
Cable diameter	Ø4 ~ Ø8						
Temperature range	- 40℃ ~ +85℃						
IP Protection Rating	IP40						

- <sup>1</sup> Withstanding voltage is the tested voltage value.
- <sup>2</sup> Insulation resistance is measured at DC 100V.
- <sup>3</sup> Contact resistance is measured at DC 1A.
  - Specifications subject to change without notice.
  - Consult Sam Woo Electronics for the latest specifications.
- <sup>4</sup> Connector contact arrangement is from solder pot(plug).

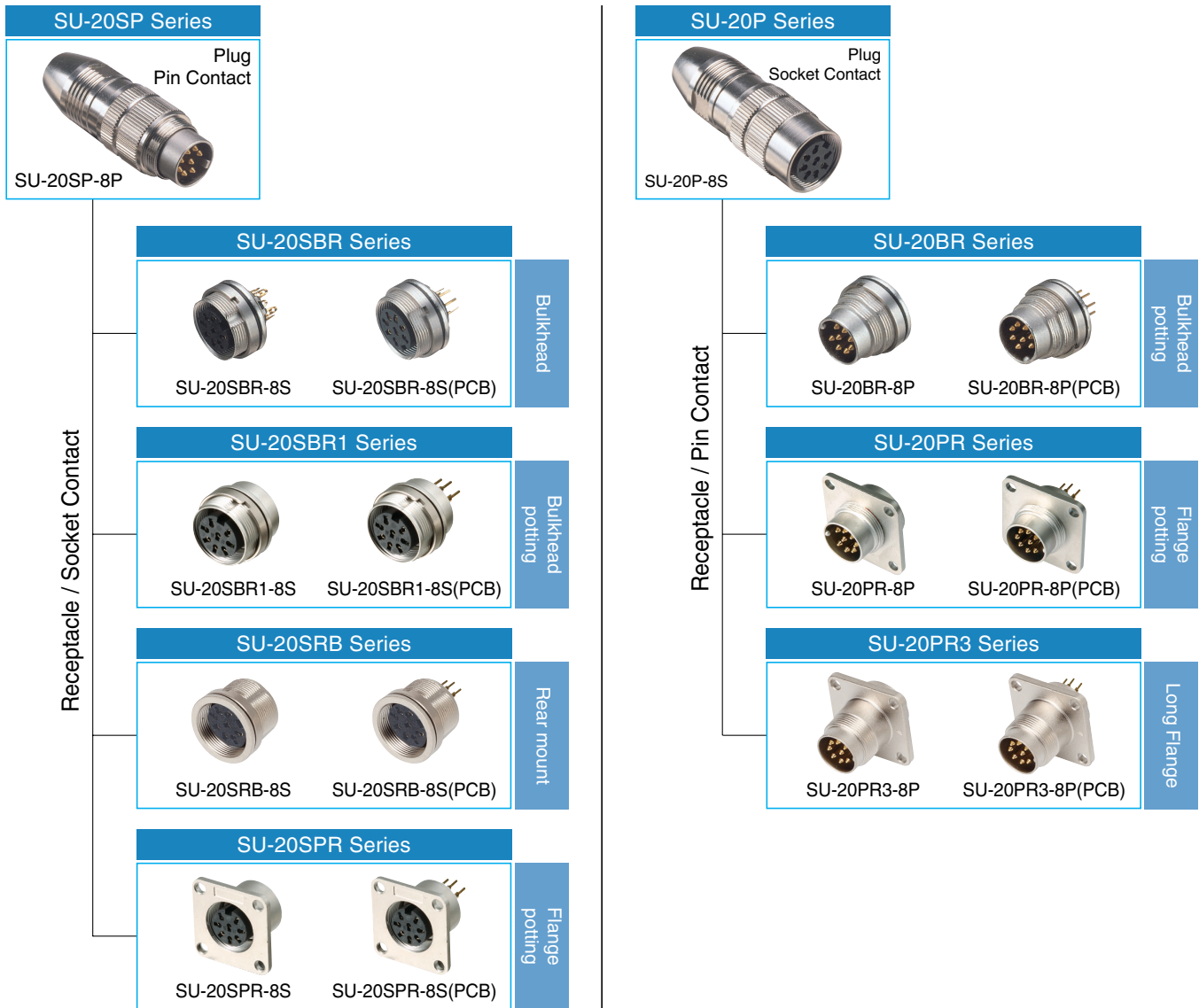
## Material Used / Finish

		Material	Finish
Body		ZnDC, Brass	Ni Plating
Insulator		PA	Black
Contacts	Pin	Brass	Gold Plating
	Socket	Phosphor bronze	Gold Plating

Specifications subject to change without notice. Consult Sam Woo Electronics for the latest specifications.

# SU1 Series – Part Numbering

## SU Series Mini-map



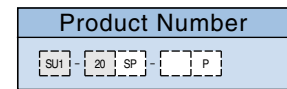
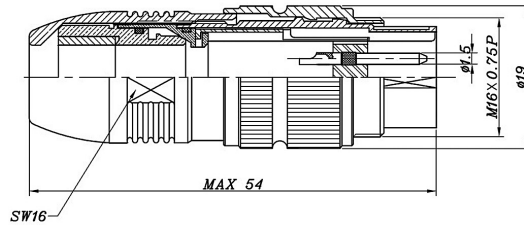
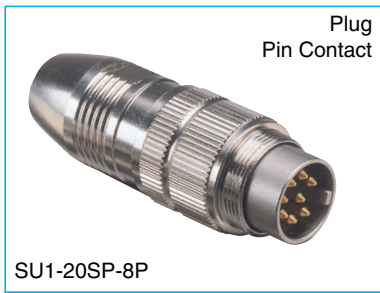
Specifications subject to change without notice. Consult Sam Woo Electronics for the latest specifications.



Specifications subject to change without notice. Consult Sam Woo Electronics for the latest specifications.

# SU1 Series – Plug, Receptacle

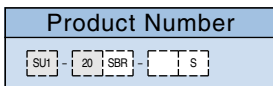
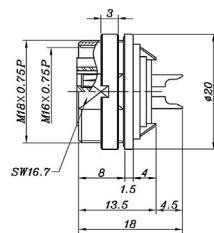
## SU1-20SP Series



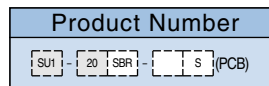
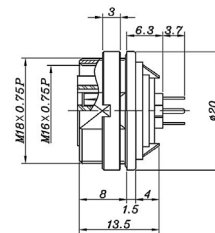
No. of Contact : 3,4,5,6,8,12,14

## SU1-20SBR Series

## Bulkhead



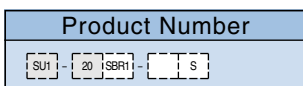
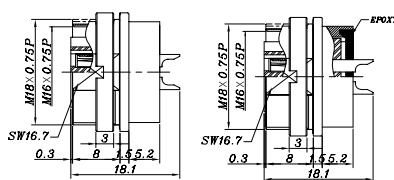
No. of Contact : 3,4,5,6,8,12,14



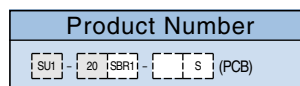
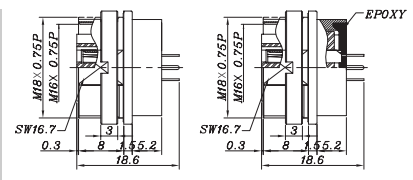
No. of Contact : 3,4,5,6,8,12,14

## SU1-20SBR1 Series

## Bulkhead, Potting



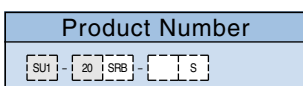
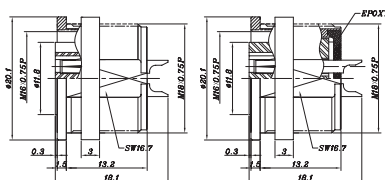
No. of Contact : 3,4,5,6,8,12,14



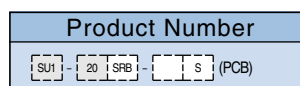
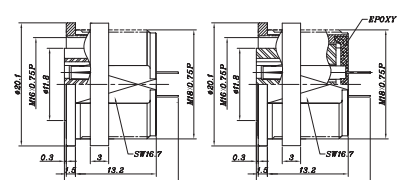
No. of Contact : 3,4,5,6,8,12,14

## SU1-20SRB Series

## Rear mount



No. of Contact : 3,4,5,6,8,12,14



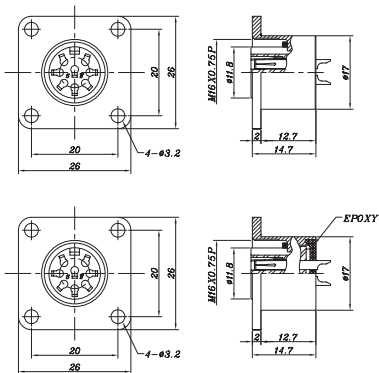
No. of Contact : 3,4,5,6,8,12,14

Specifications subject to change without notice. Consult Sam Woo Electronics for the latest specifications.

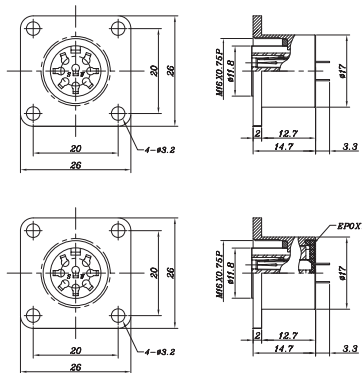
# Plug, Receptacle – SU1 Series

## SU1-20SPR Series

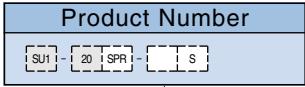
## Flange, Potting



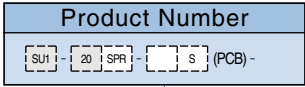
With Epoxy



With Epoxy



No. of Contact : 3,4,5,6,8,12,14

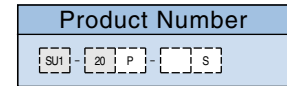
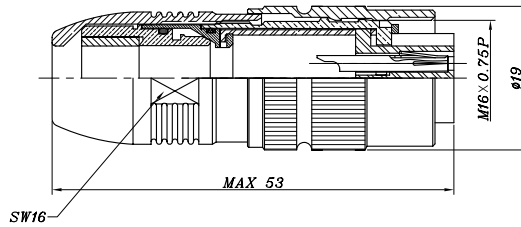


No. of Contact : 3,4,5,6,8,12,14

Specifications subject to change without notice. Consult Sam Woo Electronics for the latest specifications.

# SU1 Series – Plug, Receptacle

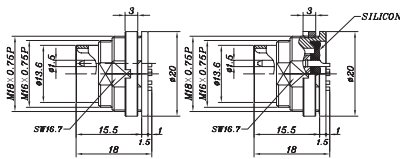
## SU1-20P Series



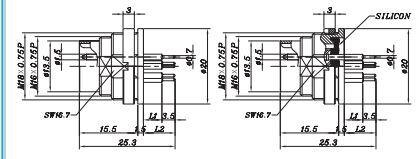
No. of Contact : 3,4,5,6, 8,12,14

## SU1-20BR Series

## Bulkhead, Potting



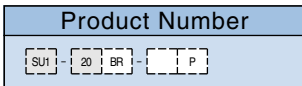
With Silicon



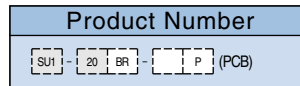
With Silicon

L1 and L2 customizable upon request.

L <sub>1</sub>	L <sub>2</sub>
4.8	8.4



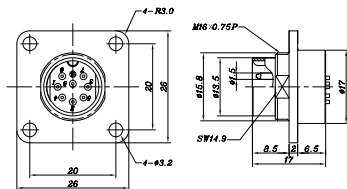
No. of Contact: 3,4,5,6,8,12,14



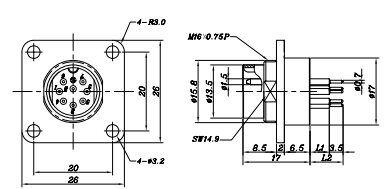
No. of Contact: 3,4,5,6,8,12,14

## SU1-20PR Series

## Flange, Potting



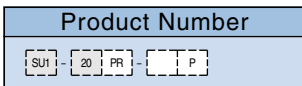
With Epoxy



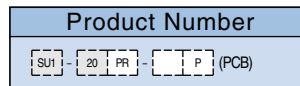
With Epoxy

L1 and L2 customizable upon request.

L <sub>1</sub>	L <sub>2</sub>
4.8	8.4



No. of Contact: 3,4,5,6,8,12,14



No. of Contact: 3,4,5,6,8,12,14

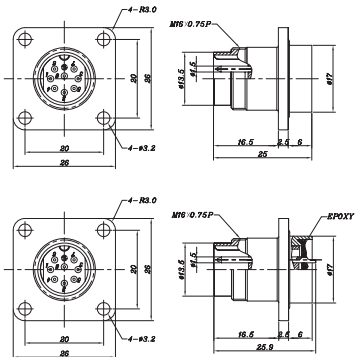
Specifications subject to change without notice. Consult Sam Woo Electronics for the latest specifications.

## SU1-20PR3 Series

## Long Flange, Potting



SU1-20PR3-8P



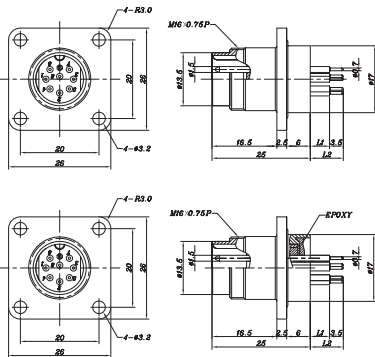
With Epoxy

Product Number			
SU1	20	PR3	P

↳ No. of Contact: 3,4,5,6,8,12,14



SU1-20PR3-8P(PCB)



L1 and L2 customizable upon request.

L <sub>1</sub>	L <sub>2</sub>
4.8	8.4

With Epoxy


Product Number			
SU1	20	PR3	P (PCB)

↳ No. of Contact: 3,4,5,6,8,12,14

Specifications subject to change without notice. Consult Sam Woo Electronics for the latest specifications.

# SU·SU1 Series – Accessories

## Protecting Caps for SU series




SU-20SBR-8S  
SU-20SBR-8S(PCB)

SU-20SBR1-8S  
SU-20SBR1-8S(PCB)

SU-20SPR-8S  
SU-20SPR-8S(PCB)

SU-20SRB-12S  
SU-20SRB-12S(PCB)

**SU Socket Contact type Receptacle**



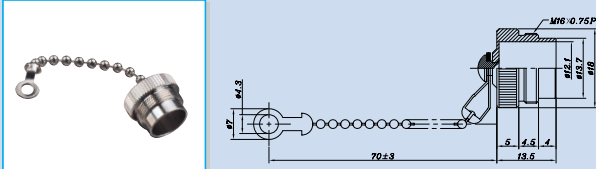
SU-20BR-8P  
SU-20BR-8P(PCB)

SU-20PR-8P  
SU-20PR-8P(PCB)

SU-20PR3-8P  
SU-20PR3-8P(PCB)

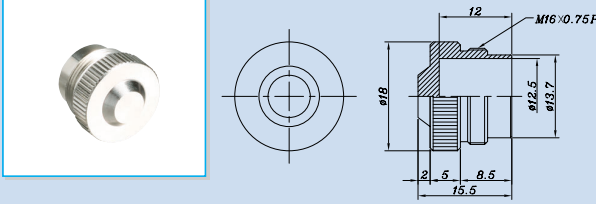
**SU Pin Contact type Receptacle**

### SU-20SBRC, SU-20SBRC1

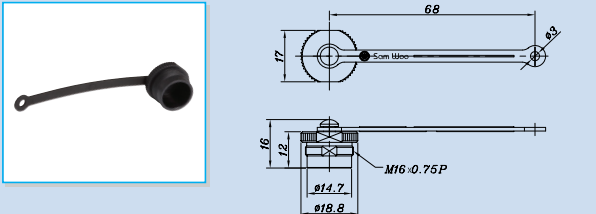


• SU-20SBRC1 : Long chain type (120mm)

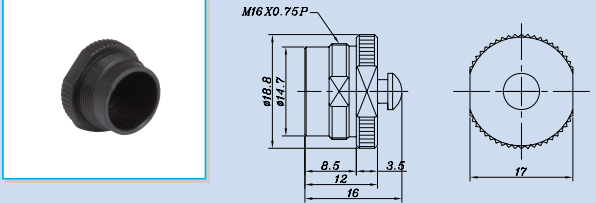
### SU-20SBRC2



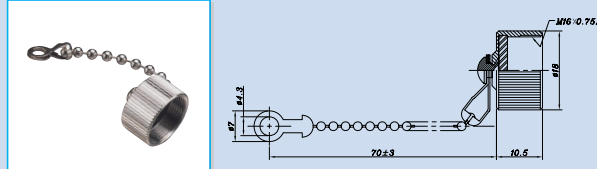
### SU-20SBRC4



### SU-20SBRC5

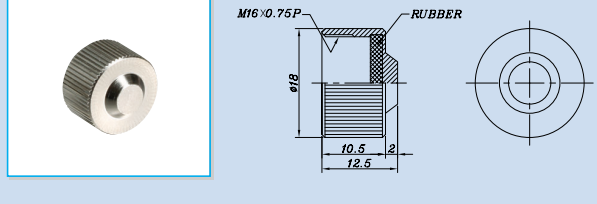


### SU-20BRC, SU-20BRC1

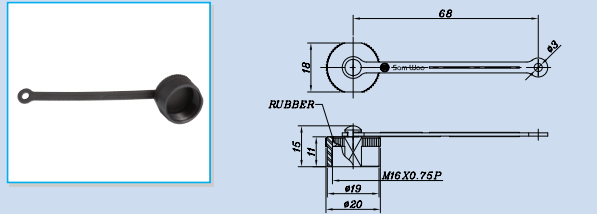


• SU-20BRC1 : Long chain type (100mm)

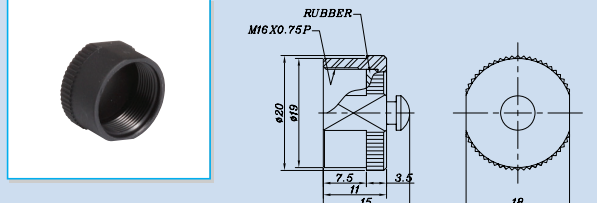
### SU-20BRC2



### SU-20BRC4



### SU-20BRC5



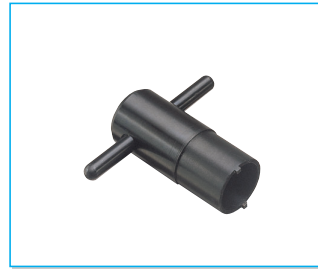
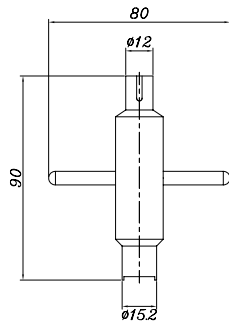
Specifications subject to change without notice. Consult Sam Woo Electronics for the latest specifications.

## Tool for SU series



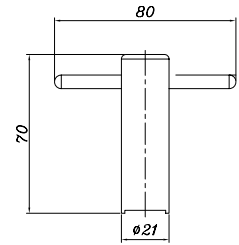
**SU-WP**

Tool for Plugs



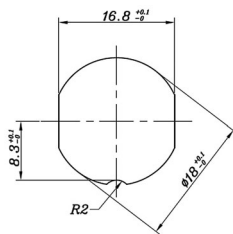
**SU-WR**

Tool for Receptacles



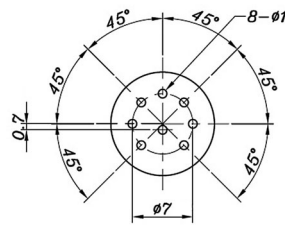
## Panel & PCB Layout

### Panel Cut-out



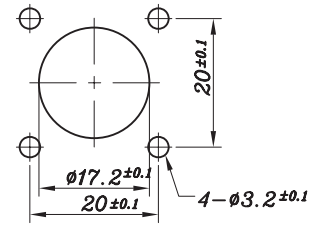
Used for SU-20SBR-8S and SU-20BR-8P

### PCB Layout



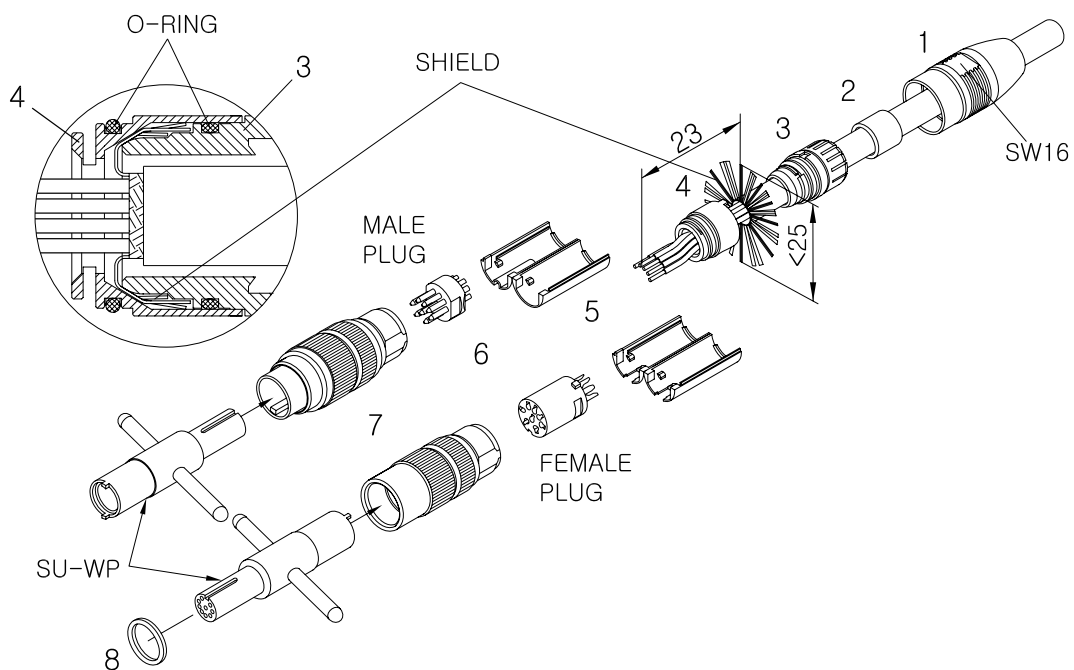
Used for SU-20SBR-8S(PCB) and SU-20BR-8P(PCB)

### Panel Layout



Used for SU-20PR-8P and SU-20PR-8P(PCB)

## Cable Assembly Instruction



Specifications subject to change without notice. Consult Sam Woo Electronics for the latest specifications.