

# SR Series – Part Numbering / Specifications



## Features

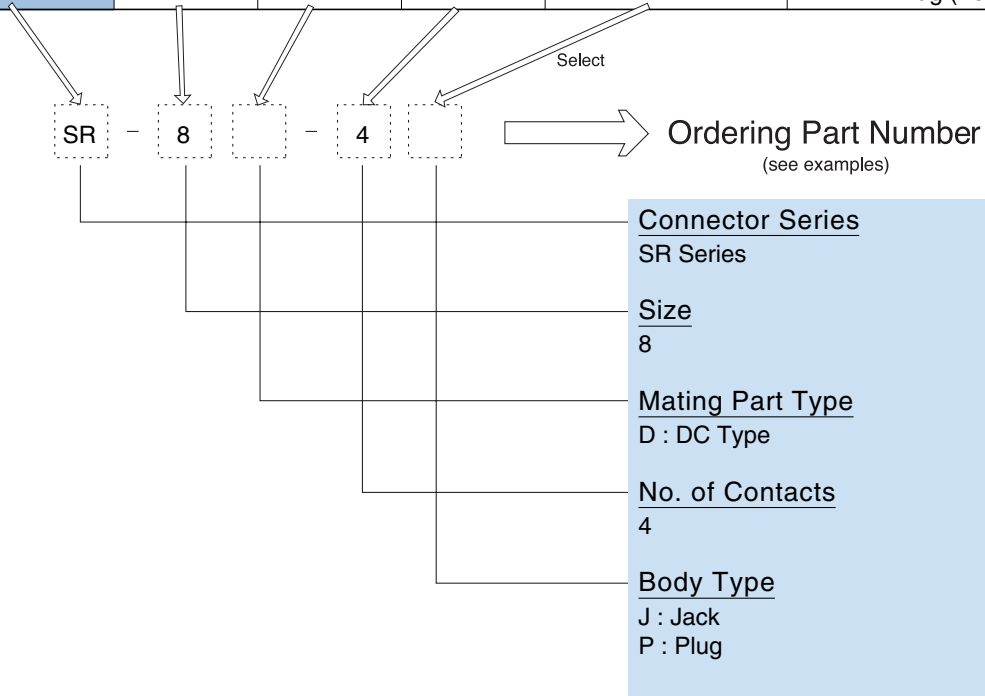
- Protection rating of IP67
- M12 threaded locking

## Applications

- Factory Automation and Sensors
- Process control
- Industrial instrumentation
- Commercial electronics

## Part Numbering

Part Number	Size	Mating Part Type	No. of Contacts	Suffix (Contact Type)	Notes
SR	8	D	4	J	Jack (Male contact)
				P	Plug (Female contact)



### Examples

SR - 8D - 4J







SR series - Size 8 Jack - 8 contact pin

SR - 8D - 4P

SR series - Size 8 Plug - 8 contact socket

Specifications subject to change without notice. Consult Sam Woo Electronics for the latest specifications.

## Major Performances / Contact Arrangements

Size/No of Contacts	Size 8						
Performance	4						
Withstanding Voltage (per min)	AC 1500V						
Rated Current	3A						
Rated Voltage	DC 125V						
Insulation Resistance (Minimum)	100M $\Omega$ or more at DC500V						
Contact Resistance (Maximum)	$\leq 10m\Omega$						
IP Protection Rating	IP 67						
Contact Arrangement	<table border="1"> <thead> <tr> <th></th> <th>Male</th> <th>Female</th> </tr> </thead> <tbody> <tr> <td>DC type</td> <td></td> <td></td> </tr> </tbody> </table> <p>Note : Figure pin No.</p>		Male	Female	DC type		
	Male	Female					
DC type							

- <sup>1</sup> Withstanding voltage is the tested voltage value in this table.  
<sup>2</sup> Insulation resistance is measured at DC 100V.  
<sup>3</sup> Contact resistance is measured at DC 1A.  
 • Values are from tested items and may not apply to all connectors.  
 • Specifications subject to change without notice.  
 • Consult Sam Woo Electronics for the latest specifications.  
<sup>4</sup> Connector contact arrangement is from mating surface.

## Material Used / Finish

	Material	Finish
Cap	Brass	Nikel
Insulator	PBT	Black
Outer sheath	PVC	–
Contacts	Pin	Brass
	Socket	Phosphor bronze
		Gold or Silver plate

## Standard Cable Information

### Standard Cable Specifications

Conductor AWG	20
No. of wires	4 wires
Outer dia.	$\varnothing 6.0 \pm 0.2$
Color	Grey

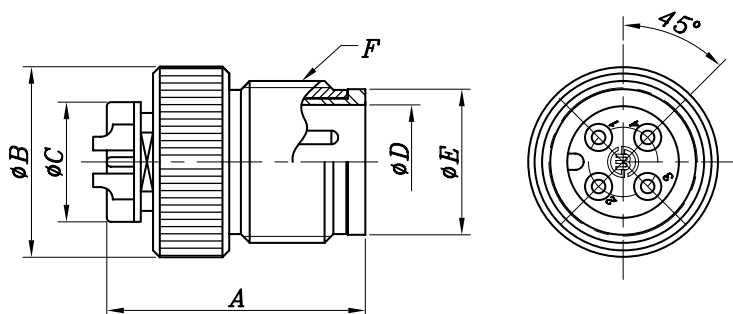
### Standard Cable Specifications

Pin Numbers	Wire Color
1	Brown
2	White
3	Blue
4	Black

Specifications subject to change without notice. Consult Sam Woo Electronics for the latest specifications.

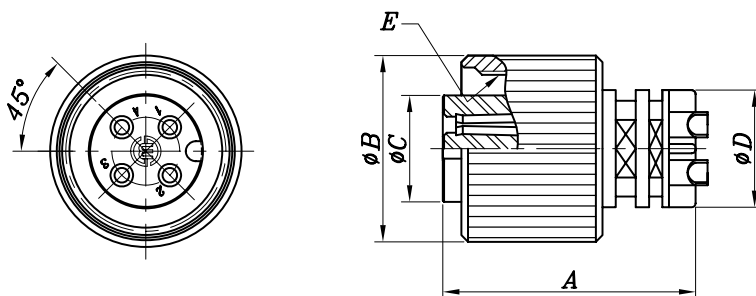
# SR Series – SR Jack / Plug / Receptacle

## SR-8D-4J



Part Number	A	ØB	ØC	ØD	ØE	F
SR-8D-4J	18.9	14	8.9	8.3	10.7	M12×1.0P

## SR-8D-4P



Part Number	A	ØB	ØC	ØD	E
SR-8D-4P	18.9	14	8	9	M12×1.0P

## SR Series Mini-map

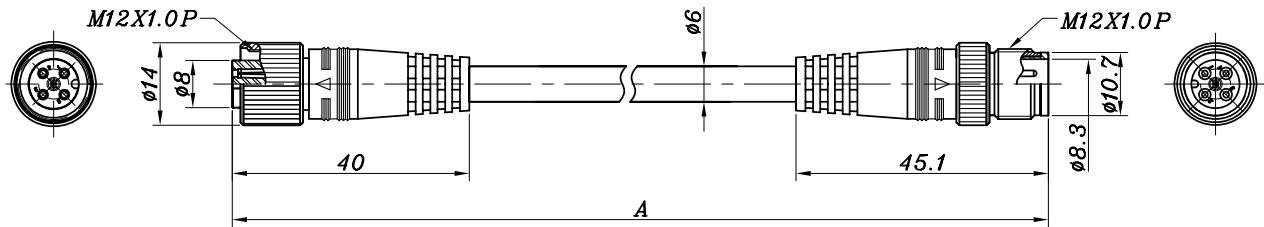


Specifications subject to change without notice. Consult Sam Woo Electronics for the latest specifications.

## Cable Assembly

SW-4366

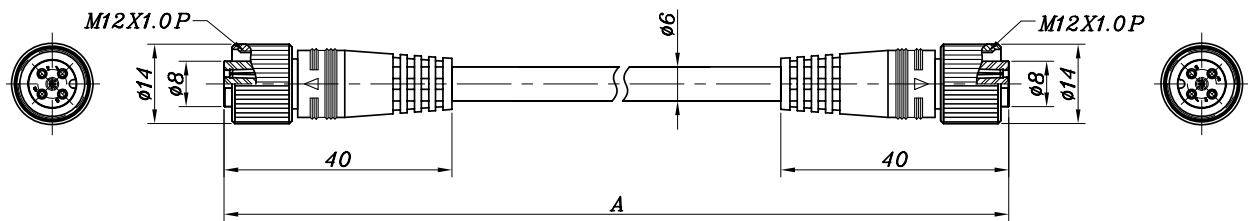
Type A : Plug + Jack



SR-8D-4P + Cable + SR-8D-4J

SW-4369

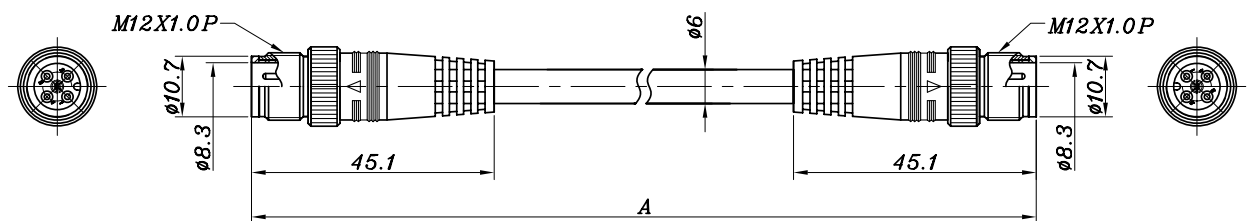
Type B : Plug + Plug



SR-8D-4P + Cable + SR-8D-4P

SW-4370

Type C : Jack + Jack



SR-8D-4J + Cable + SR-8D-4J

Unit : mm

Type A		
Part Number	Connector	A
SW-4366-100	SR-8D-4P + SR-8D-4J	1000
SW-4366-200	SR-8D-4P + SR-8D-4J	2000
SW-4366-300	SR-8D-4P + SR-8D-4J	3000
SW-4366-500	SR-8D-4P + SR-8D-4J	5000

Type B		
Part Number	Connector	A
SW-4369-100	SR-8D-4P + SR-8D-4P	1000
SW-4369-200	SR-8D-4P + SR-8D-4P	2000
SW-4369-300	SR-8D-4P + SR-8D-4P	3000
SW-4369-500	SR-8D-4P + SR-8D-4P	5000

Type C		
Part Number	Connector	A
SW-4370-100	SR-8D-4J + SR-8D-4J	1000
SW-4370-200	SR-8D-4J + SR-8D-4J	2000
SW-4370-300	SR-8D-4J + SR-8D-4J	3000
SW-4370-500	SR-8D-4J + SR-8D-4J	5000

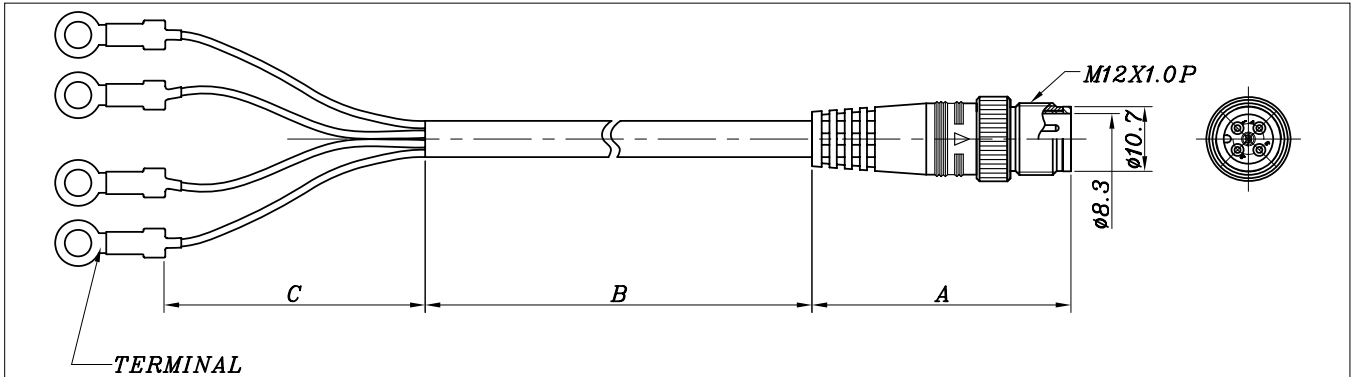
※ Custom lengths available. Consult Sam Woo Electronics.

Specifications subject to change without notice. Consult Sam Woo Electronics for the latest specifications.

## Cable Assembly

SW-4120

Jack Connector



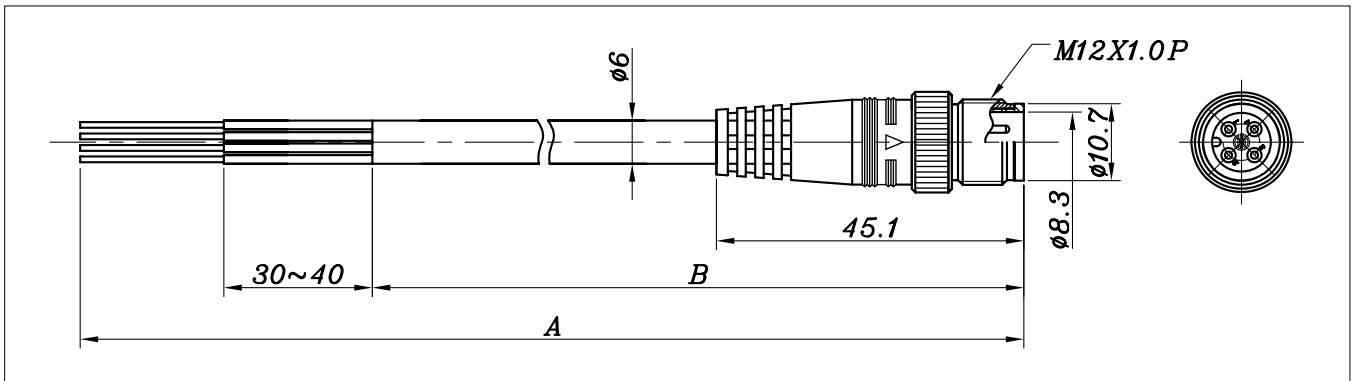
Unit : mm

Part Number	Connector	A	B	C
SW-4120	SR-8D-4J	45.1	305	60

※ Custom lengths available. Consult Sam Woo Electronics.

SW-4367

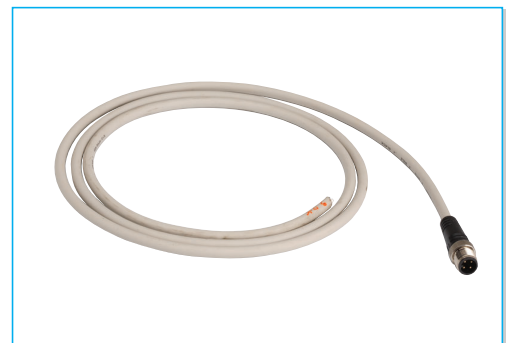
Jack Connector



Unit : mm

Part Number	Connector	A	B
SW-4367-055	SR-8D-4J	550	500
SW-4367-105	SR-8D-4J	1050	1000
SW-4367-220	SR-8D-4J	2200	2150
SW-4367-305	SR-8D-4J	3050	3000
SW-4367-505	SR-8D-4J	5050	5000

※ Custom lengths available. Consult Sam Woo Electronics.

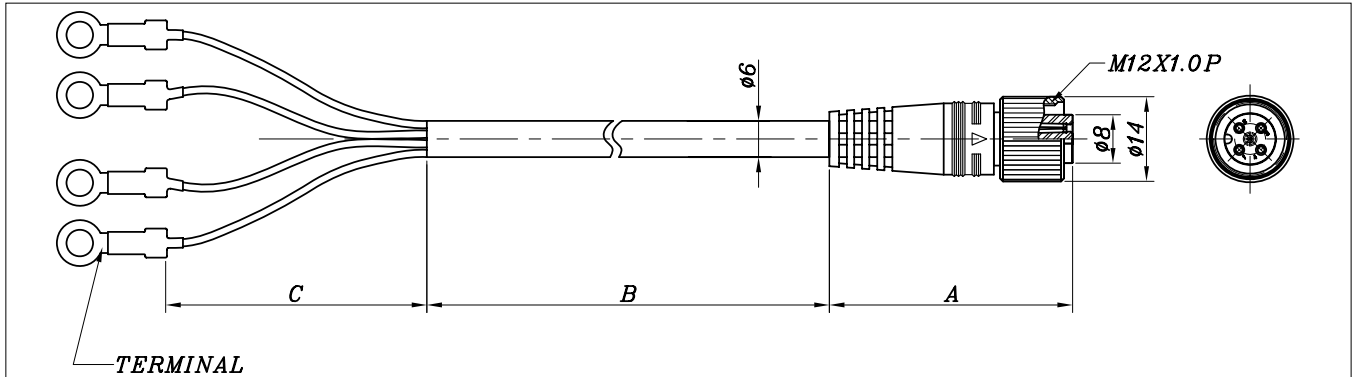


Specifications subject to change without notice. Consult Sam Woo Electronics for the latest specifications.

## Cable Assembly

SW-4368

Plug Connector



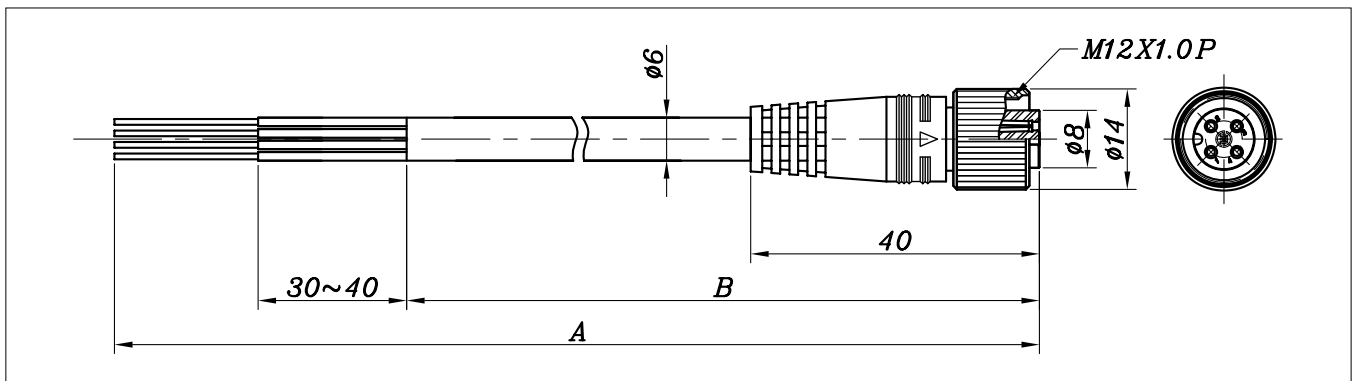
Unit : mm

Part Number	Connector	A	B	C
SW-4368	SR-8D-4P	40	305	60

※ Custom lengths available. Consult Sam Woo Electronics.

SW-4119

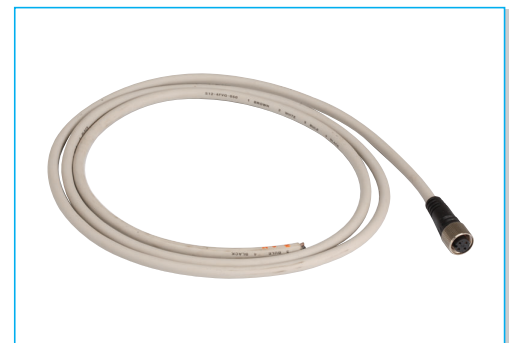
Plug Connector



Unit : mm

Part Number	Connector	A	B
SW-4119	SR-8D-4P	4700	4640
SW-4119-055	SR-8D-4P	550	500
SW-4119-105	SR-8D-4P	1050	1000
SW-4119-220	SR-8D-4P	2200	2150
SW-4119-305	SR-8D-4P	3050	3000
SW-4119-505	SR-8D-4P	5050	5000

※ Custom lengths available. Consult Sam Woo Electronics.



Specifications subject to change without notice. Consult Sam Woo Electronics for the latest specifications.